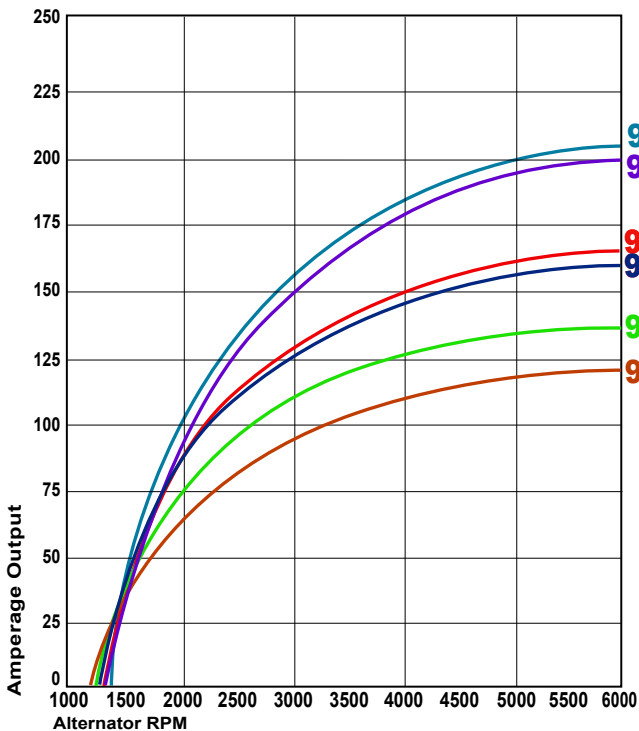


BALMAR

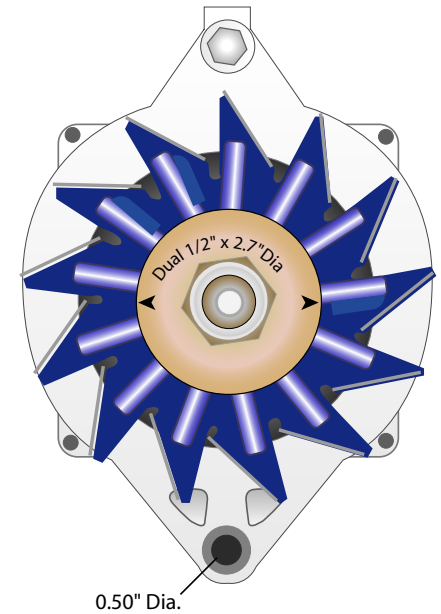
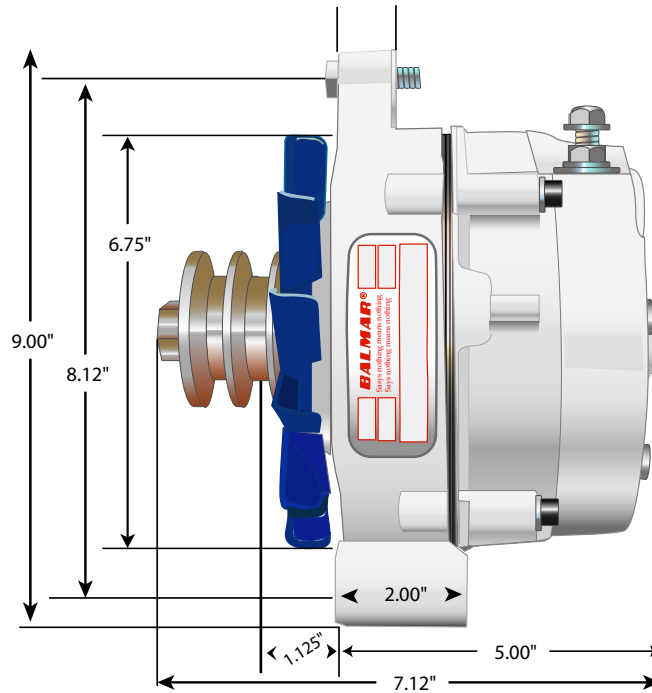
94-Series Alternators

Model	Rating	Volts	Outputs	Ground
94-100	100	12	1	Case
94-160	160	12	2	Case
94-165	165	12	1	Case
94-190	190	12	2	Case
94-210	210	12	1	Case
94-24-110	110	24	1	Case
94-24-120-D	120	24	2	Case
94-24-120-IG	120	24	1	Isolated
94-24-135-MHD	100	12	1	Case



Great Water www.great-water.com

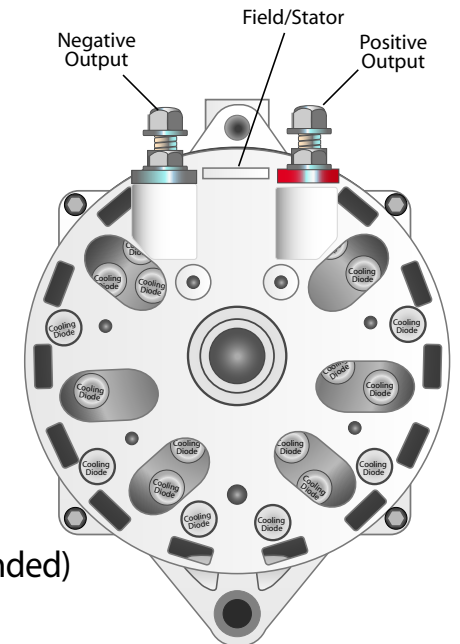
Toll Free 866 209-6132



Note: Some dimensions and terminal locations may vary, based on specific model and year of manufacture.

Specifications

- Mounting Foot Configuration - Sgl. 2" Foot
- Tensioning Arm - 180 degree offset
- Rotor/Stator - 14-Pole
- Charging Output - Single Post/Dual Post (D)
- Stator Output - Alternating Current (AC)
- Bearings - Sealed, Internally lubricated HD
- Cooling - Unidirectional Fan
- Max. RPM - 6,500
- Regulation - External Multi Stage (recommended)
- Warranty - One Year Limited



Note: Dual output alternators will feature twin isolated positive output posts at the top or back of alternator. Positive posts can be bridged to provide improved cooling when used as a single output.